

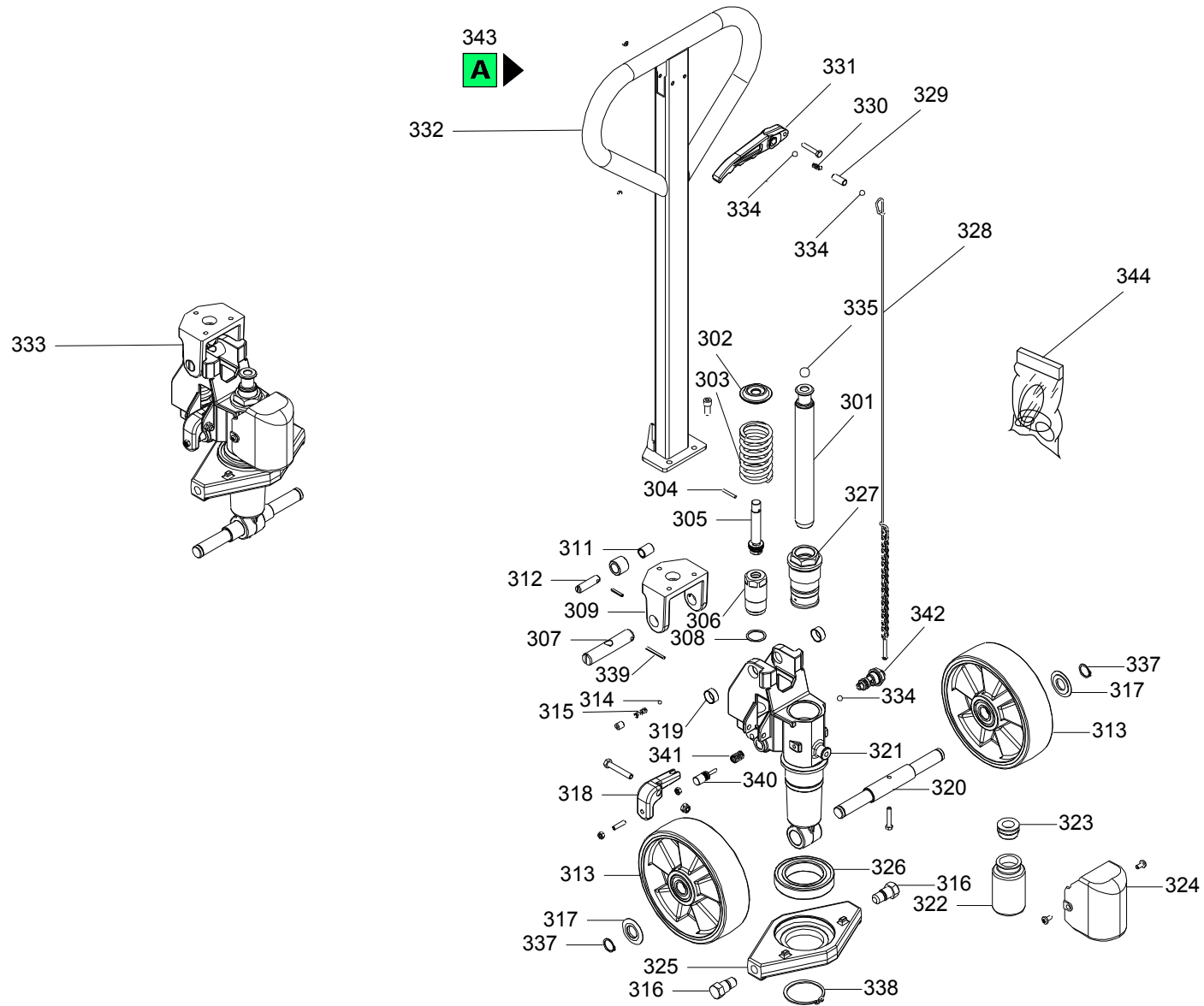
## Spare Parts Catalogue

# GS/AV 25 S4 1150X525 (164492)

Handling systems | Hand pallet trucks

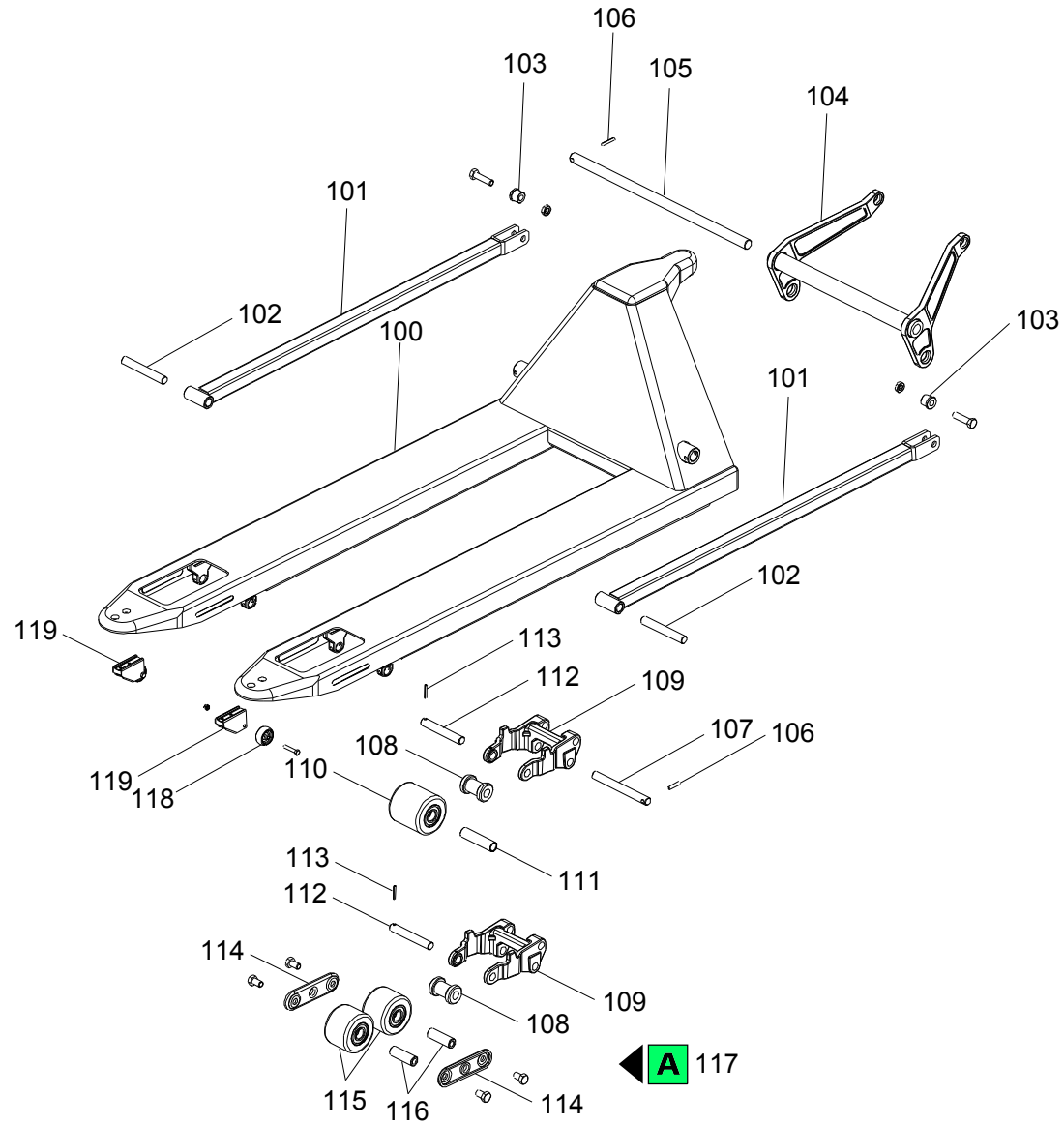
Valid for machine code: GMB41AV0C8F

Revision: 0 (1/2015)



Position	Part Number	Description	Notes
301	S00003502	Piston Gs/global (machined)	-
302	S000017302	Spring Guide Plate Hx10m '09 (burnished)	-
303	G001143	Plunger Recovery Spring Hx10m	-
304	G044420	Cylindrical Plug D4x28 H8	-
305	P0P600003	Pistone Pompa Completo	-
306	P0C700003	Cylinder Hpt10-xm	-
307	S0004013008	Chain Guide Pin (l.98) Burnished	-
308	G096004	Copper Washer 25.5x31x1. Inner Diam. Tol. 0/+0.5 - Outer Diam. Tol. -0.5/0	-
309	S000017925	Pumping Bracket Hx10m '09 Grey Ral 7046 Machined	-
310	S0042013004	Complete Pump-up Roller Hl10m	-
311	G016393	Self-lubricating Bushing Fe 12x16x20	-
312	S0004013002	Pump-up Roller Pin Gs	-
313	S000003061	Wheel Injected Polyurethane/nylon Gray Color D200x55+bearings '07 Gs	-
	S000007047	Wheel White Nylon D200x50 Heavy Duty Version + Sealed Bearings	-
	S0002010169	Rubber Wheel D200 (model No. Ea200bh-65a Lifter)+bearing	-
	S0004010186	Nylon Wheel D200 With Bearings	-
	S0014010233	Polyurethane Wheel /all D200x50 Lag + Bearings 6204	-
314	G016116	Ball 7/32" (mm5,556)	-
315	G001104	Spring De8 F.1,7x22 P.3,5 Grinded	-
316	S000003302	Cross Screw '11	-
317	G091101	Wheel Dustguard Tp 47x20 Sp3.9 Tellure	-
318	S000003901	Opening Spill Pedal '07 Gs	-
319	S0004018002	Body Pump Bushing Gs (20x22x10)	-
320	S0004015015	Wheel Axle Gs/hl10e	-
321	S000006036	Corpo Pompa Gs/av '14 Proporzionale Grigio Ral 7046 (lavorato+lavato)	-
322	S0004018003	Oil Tank Pallet Truck Gs	-
323	S0004018001	Oil Tank Cap Pallet Truck Gs	-
324	S0004018005	Tank Protection Gs (short)	-
325	S000022014	Cross Gs '09 Grey Ral 7046 Machined	-
326	G010220	Bearing 6012 Rs(60-95-18)	-
327	S0004011024	Cast Iron Bushing Gs (machined)	-
328	S000017078	Tie Rod Ø2.8+chain+pin Hx10m '09	-
329	S0004036022	Lowering Lever Spacer Gs	-
330	G001126	Lowering Lever Spring Gs	-
331	S0004018006	Lowering Lever Pallet Truck Gs	-
332	V000069001-7046	-	-
333	S000006039	Hydraulic Unit Gs/av '14 25q.li. Proportional Grey Ral 7046 + Nylon Wheels	-

Position	Part Number	Description	Notes
334	G016104	Ball 5/16" (mm7,938)	-
335	G016103	Ball 9/16" (mm14,288) Ball 2	-
336	G044344	Elastic Peg Spirol 8748 D 4x24	-
337	G042120	Outer Seeger 7435 E 20	-
338	G042160	Outer Seeger 7435 E 60	-
339	G044318	Elastic Peg Spirol 8748 D 4x40	-
340	S000003908	Control Plunger For Proportional Valve Gs '11	-
341	S000003909	Opening Plunger Spring Gs '11	-
342	▲ S000010074	Complete No Return Valve Gs '11	Valid for products with serial numbers until HLI0358989
	▲ S000051001	Complete Sealing Valve Proportional Gs '16	Valid for products with serial numbers from HLI0358989
343	S000006041	Complete Pump Handle Gs/av '09 Painted Grey Ral 7046	-
344	P0KI00003	Gasket Set Gs '02 Gs/av	-



Position	Part Number	Description	Notes
100	V0001010304-5018	Frame Gs/ra 1150x525 Painted	-
101	S0002270525	Push Rod Gs'01 L=1150 25q Painted	-
102	S0002205038	Pin D16x113 Gs	-
103	S0003005055	Push Rod Internalfork Bushing Ck Zinc	-
104	V000003039-9005	Painted Rocker Arm Gs $\zeta$ 12 L=525	-
105	S0003015038	Rocker Arm Axle Gs 520	-
106	G044304	Elastic Peg 6873 D 6x32	-
107	S0002205040	Reference Pin Gs	-
108	G056104	Exit Nylon Roller D38 Gs	-
109	S0002201027	Double Clevis Gs (machined)	-
110	S0002010131	Nylon Roller D82x82 + Bearing	-
	S0002010178	Injected Polyurethane Roller D82x82 + Bearing	-
	S0112020093	Polyurethane Roller D82x80 + Bearings	-
111	S0002206023	Single Roller Spacer Gs	-
112	S0002205039	Tandem Connection Pin Gs	-
113	G044319	Elastic Peg Spirol 8748 D4x30	-
114	S000003005	Rocker Tandem Gs'01 Zinc Plated	-
115	S0002010132	Nylon Roller D82x60 + Bearing	-
	S0012050170	Injected Polyurethane Roller D82x60 + Bearings	-
116	S0012035029	Tandem Roller Spacer Gs	-
117	S0012030177	Complete Rollers Tandem Nylon Gs	-
	S0012030178	Complete Rollers Tandem Injected Polyurethane Gs	-
118	G056103	Entry Roller Fork Tp/e-gs	-
119	G09660	Entry Roller Bracket '07 Gs	-